

Changeover valves are used in front and telescopic loaders, forklift trucks, etc. to provide additional functions on the machinery. An example may be a valve fitted to the end of telescopic loader boom can switch between to tilt and to grab, making use of the same control valve, and a changeover valve.

There are two main reasons whom to this approach can be inviting: a) A changeover valve cost less than an additional control valve section and b) only needs a pair of hoses to be run to two different services that are close together in a distant location on a machine.

ROQUET range of changeover valves feature high-strength cast-iron bodies in our own foundry and casehardened close tolerance spools for long life and low leakage. Special care has been taken in the design of the spool and the cored flow-passages in the body to give good combined flow/pressure performance.

This catalogue shows the range of ROQUET changeover valves. To suit your requirements, please contact with us.

Index

6-way Changeover valves

6VA	5
6VG	8
6VM	11
6VR	14
6VS.....	17

8-way Changeover valves

8VR	20
-----------	----

Changeover valves with relief valve

6VD	23
6VI	26
6VL.....	29
6VT.....	32

Solenoid Kits.....	35
---------------------------	-----------

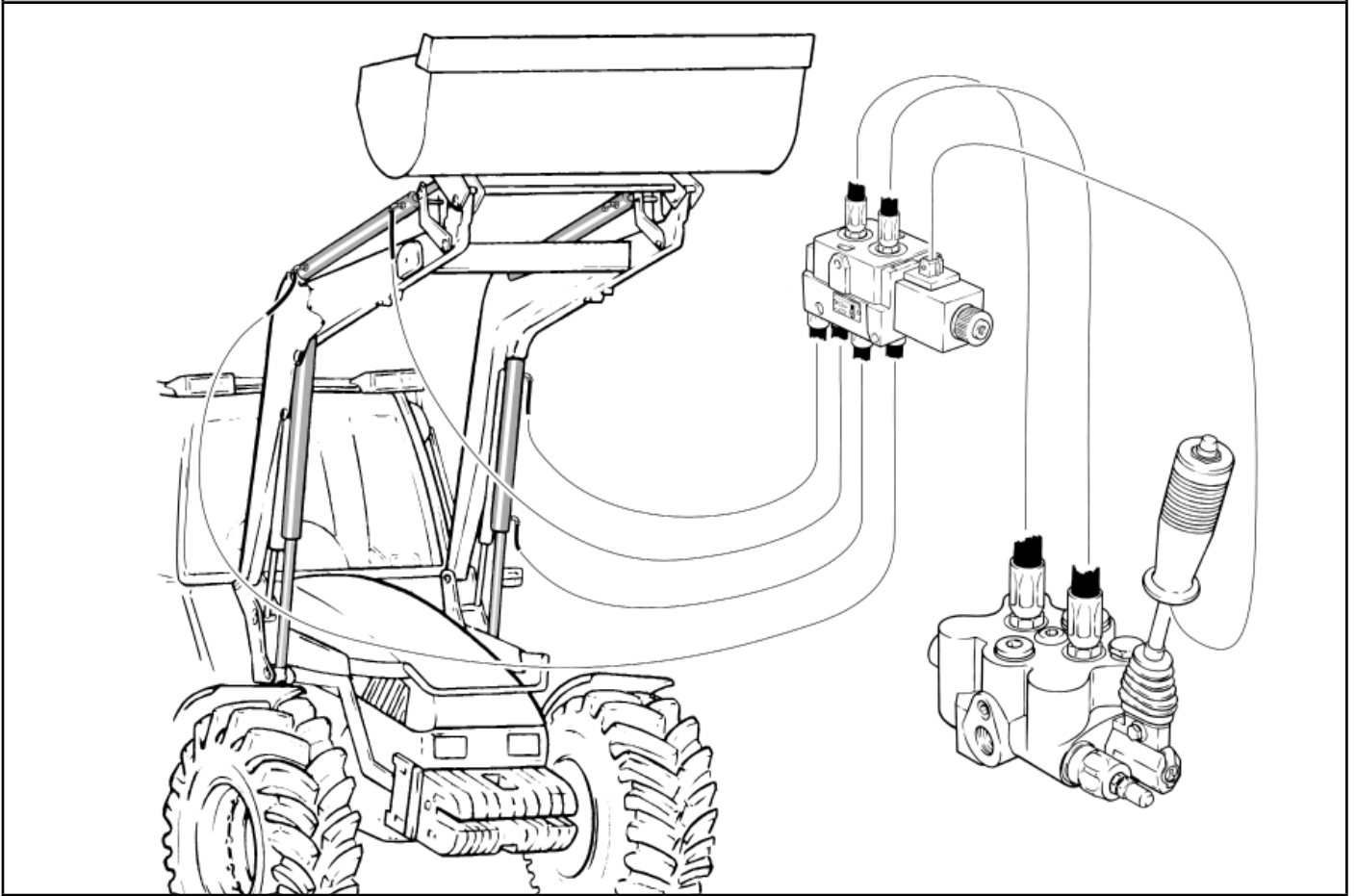
Relief valves.....	37
---------------------------	-----------

This Catalogue shows the product in the most standard configuration; customized or special designs are also available, please contact to PEDRO ROQUET S.A. The specifications and data in this catalogue are not open to any interpretation, please contact with PEDRO ROQUET S.A. in case of doubt.

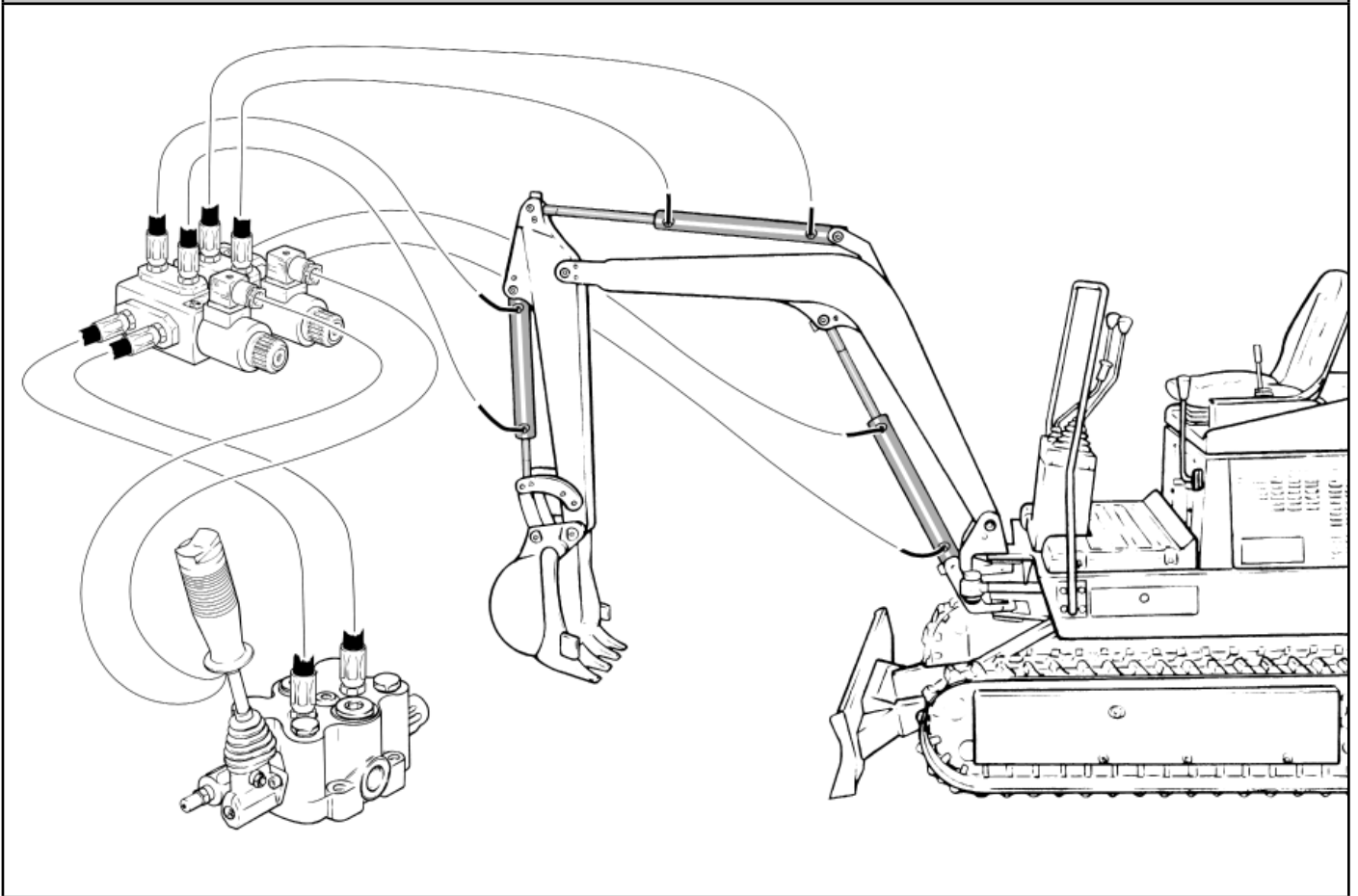
PEDRO ROQUET S.A. reserves the right to modify, update or revise this catalogue without prior notice.

PEDRO ROQUET S.A. IS NOT RESPONSABLE FOR ANY DAMAGE CAUSED BY AN INCORRECT USE OF THE PRODUCT.

Control valve and 6-way changeover valve



Control valve and 8-way changeover valve





PART NUMBER

6VA	B	1	D24	M	PB	SD	000	Code
↑	↑	↑	↑	↑	↑	↑	↑	↑
1	2	3	4	5	6	7	8	9

1	Type
6VA	6-way stackable

2	Ports
B	3/8" G.
C	1/2" G.
D	M.18x1,5

3	Connector type
1	Hirschmann
2	Deutsch without diode
3	Deutsch with diode

4	Voltage
D12	12 V
D24	24 V

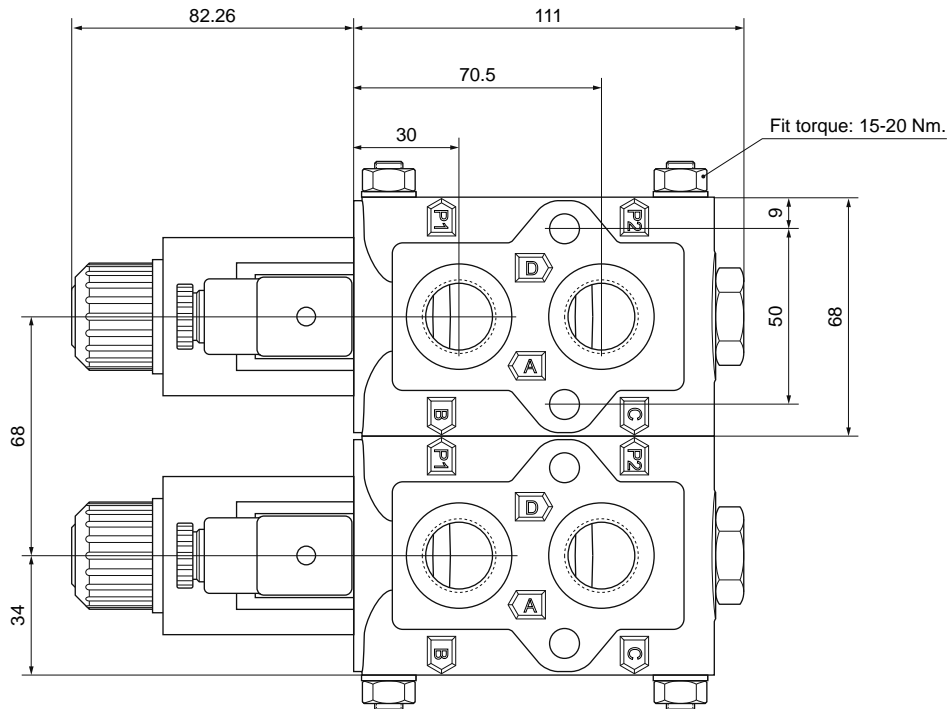
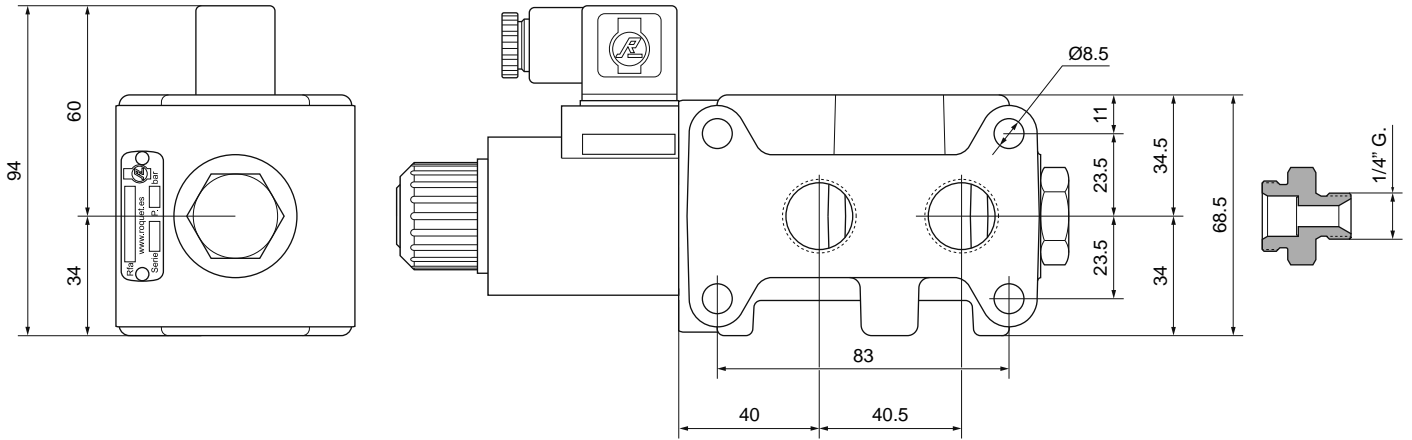
5	Nominal flow
M	40 L./min.
L	80 L./min.

6	Spool
PA	
PB	

7	Drainage
CD	With drainage
SD	Without drainage

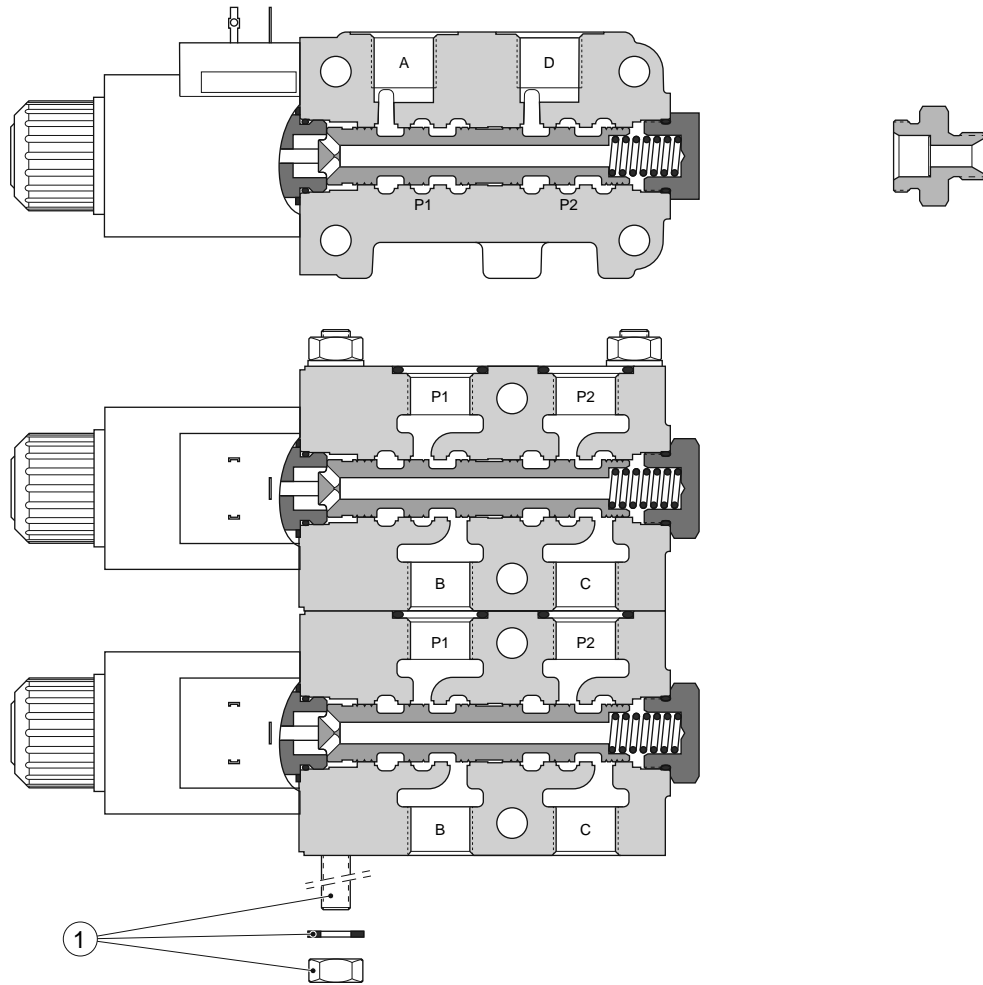
8	Protection
000	No paint
005	Phosphated
***	ROQUET paint code. Check.

9	Code
----------	-------------



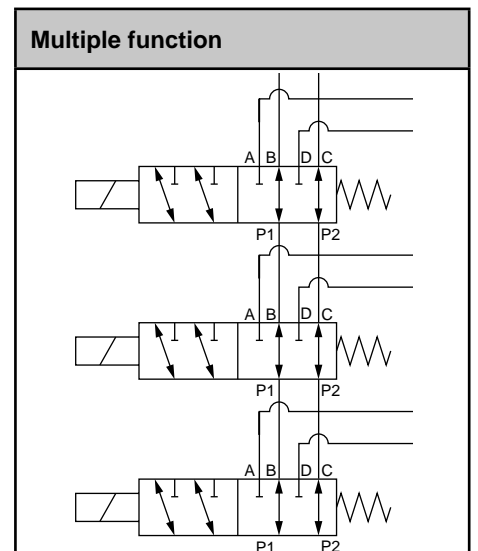
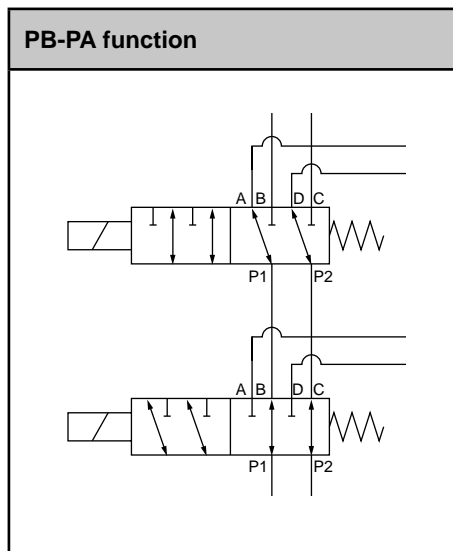
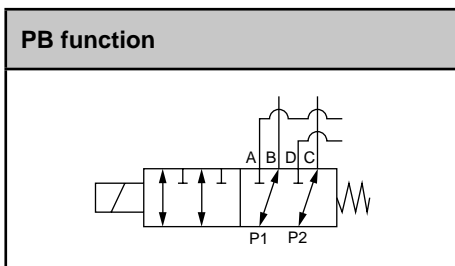
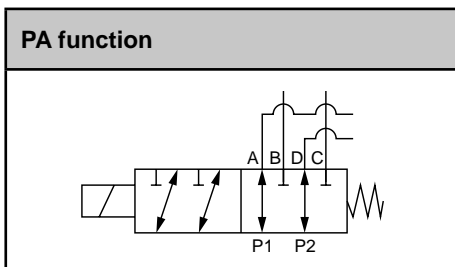
Technical data	
Work pressure range	0 - 250 bar
Nominal flow	40 L./min. - 80 L./min.
Fluid recommended	ISO 6743 Type HM, HV or HG
Flow temperature range	-20°C...+80°C
Viscosity range	ISO 3448 CAT. VG32-VG46
Fluid cleanliness range	16/13 s./ ISO 4406 or RP70H

Technical data	
Ports A, B, C, D, P1, P2	1/2" G. - 3/8" G. - M.18
Connector type	Deutsch - Hirschmann
Voltage	12V - 24V
Power 40 L./min.	38W
Power 80 L./min.	44W



Position	Part number	Description and parts
1A	N2231/22	Union kit 2 valves (4 screws, 8 nuts, 8 washers and 1 pair of O-rings)
1B	N2231/23	Union kit 3 valves (4 screws, 8 nuts, 8 washers and 2 pair of O-rings)
1C	N2231/24	Union kit 4 valves (4 screws, 8 nuts, 8 washers and 3 pair of O-rings)
1D	N2231/25	Union kit 5 valves (4 screws, 8 nuts, 8 washers and 4 pair of O-rings)
1E	N2231/26	Union kit 6 valves (4 screws, 8 nuts, 8 washers and 5 pair of O-rings)

Note: Roquet deliveries union kits and individual valves. Customer will be able to set multiple valves, according their requirements.





PART NUMBER

6VG	G	2	D24	M	PB	SD	000	Code
↑ 1	↑ 2	↑ 3	↑ 4	↑ 5	↑ 6	↑ 7	↑ 8	↑ 9

1	Type
6VG	6-way

2	Ports
G	3/4"-16 UNF-2B

3	Connector type
1	Hirschmann
2	Deutsch without diode
3	Deutsch with diode

4	Voltage
D12	12 V
D24	24 V

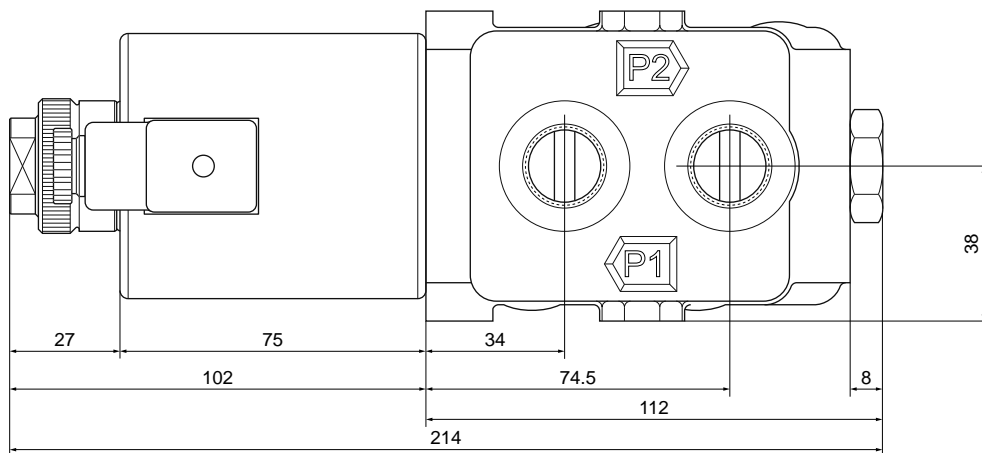
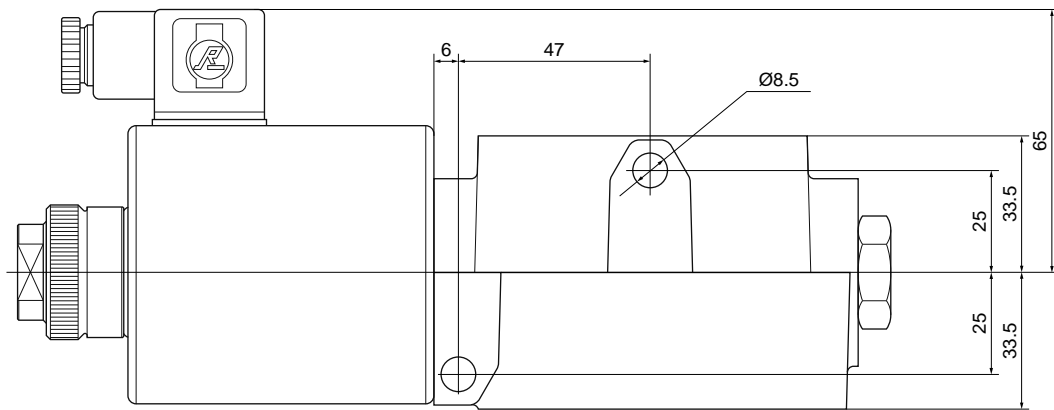
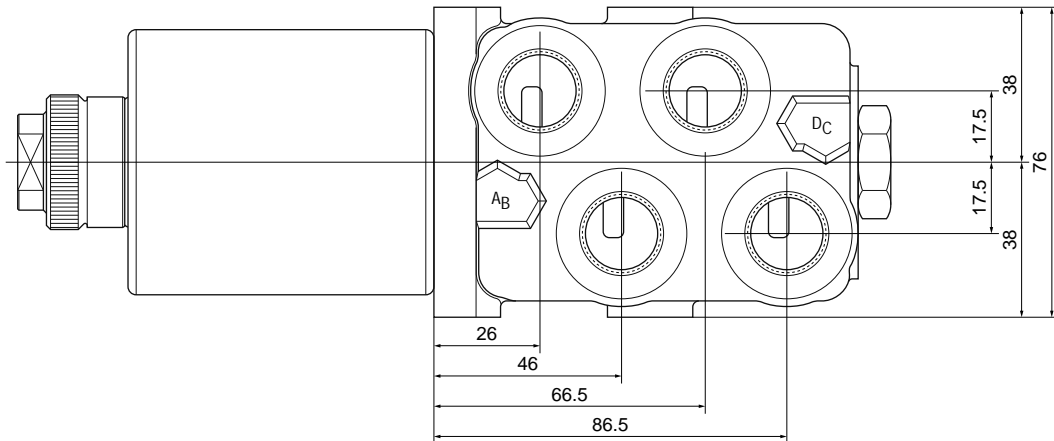
5	Nominal flow
M	40 L./min.
L	80 L./min.

6	Spool
PA	
PB	

7	Drainage
CD	With drainage
SD	Without drainage

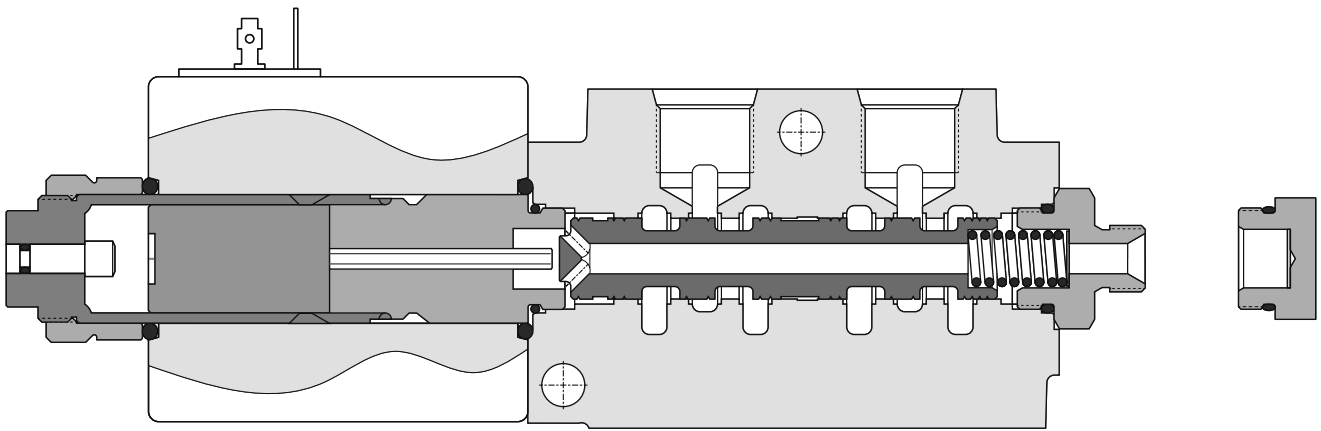
8	Protection
000	No paint
007	Zinc chromated plated
***	ROQUET paint code. Check.

9	Code
----------	-------------

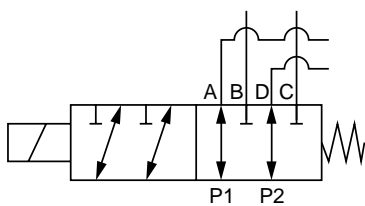


Technical data	
Work pressure range	0 - 250 bar
Nominal flow	40 L./min. - 80 L./min.
Fluid recommended	ISO 6743 Type HM, HV or HG
Flow temperature range	-20°C...+80°C
Viscosity range	ISO 3448 CAT. VG32-VG46
Fluid cleanliness range	16/13 s./ ISO 4406 or RP70H

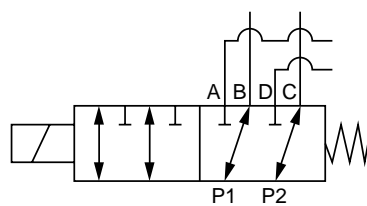
Technical data	
Ports A, B, C, D, P1, P2	3/4" - 16 UNF-2B
Connector type	Deutsch - Hirschmann
Voltage	12V - 24V
Power 40 L./min.	38W
Power 80 L./min.	44W



PA function



PB function





PART NUMBER

6VM	B	1	D24	M	PA	SD	000	Code
↑	↑	↑	↑	↑	↑	↑	↑	↑
1	2	3	4	5	6	7	8	9

1	Type
6VM	6-way

2	Ports
B	3/8" G.
D	M.18x1,5

3	Connector type
1	Hirschmann
2	Deutsch without diode
3	Deutsch with diode

4	Voltage
D12	12 V
D24	24 V

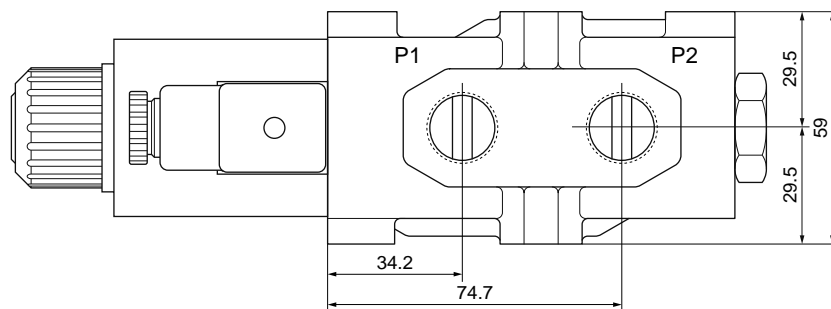
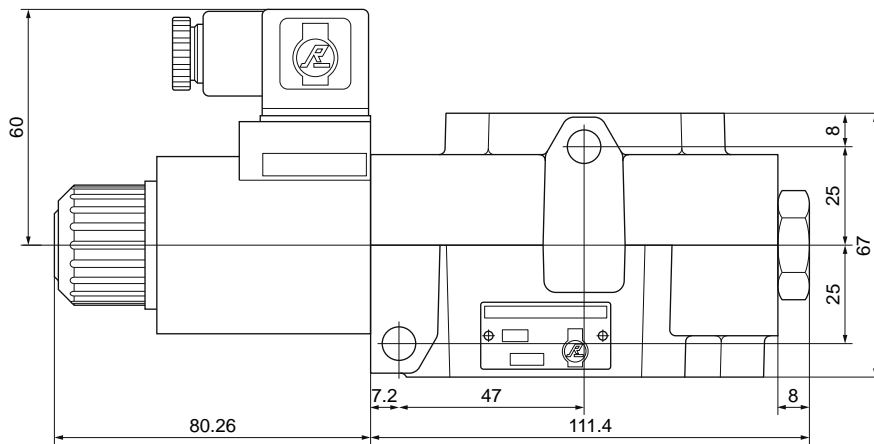
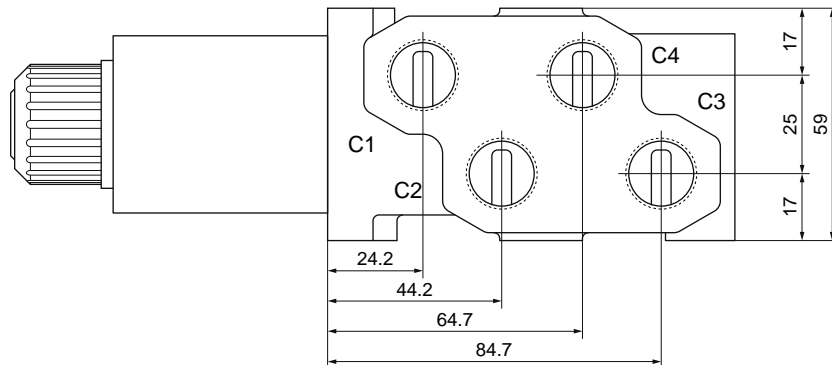
5	Nominal flow
M	40 L./min.
L	80 L./min.

6	Spool
PA	
PB	

7	Drainage
CD	With drainage
SD	Without drainage

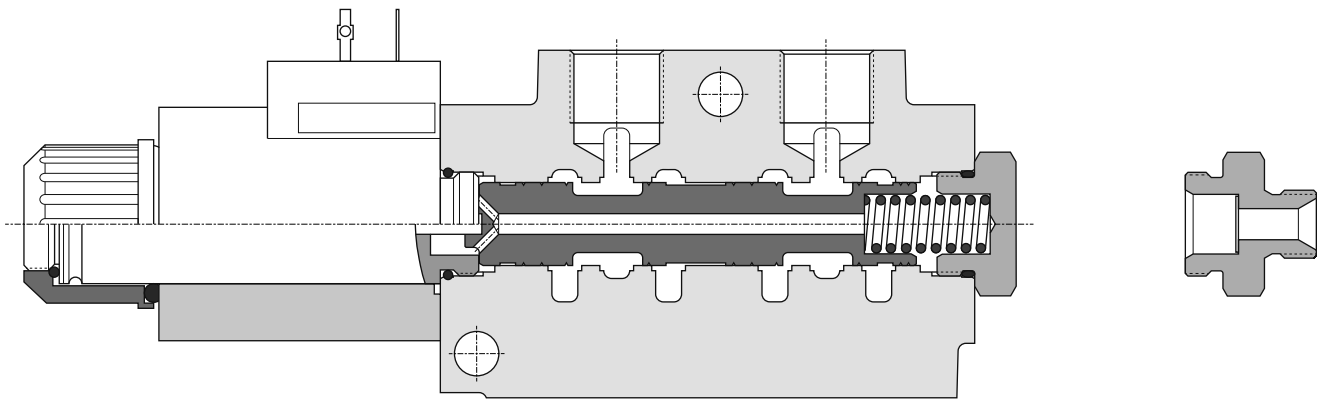
8	Protection
000	No paint
***	ROQUET paint code. Check.

9	Code
----------	-------------

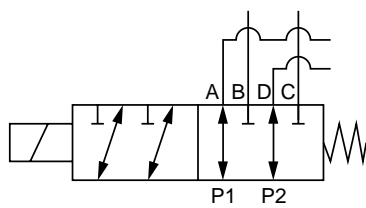


Technical data	
Work pressure range	0 - 250 bar
Nominal flow	40 L./min. - 80 L./min.
Fluid recommended	ISO 6743 Type HM, HV or HG
Flow temperature range	-20°C...+80°C
Viscosity range	ISO 3448 CAT. VG32-VG46
Fluid cleanliness range	16/13 s./ ISO 4406 or RP70H

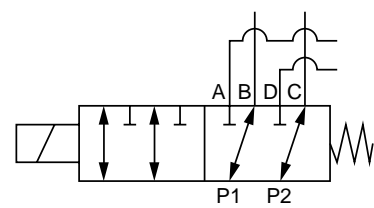
Technical data		
Ports	A, B, C, D, P1, P2	3/8" G. - M.18
Connector type	Deutsch - Hirschmann	
Voltage	12V - 24V	
Power 40 L./min.	38W	
Power 80 L./min.	44W	

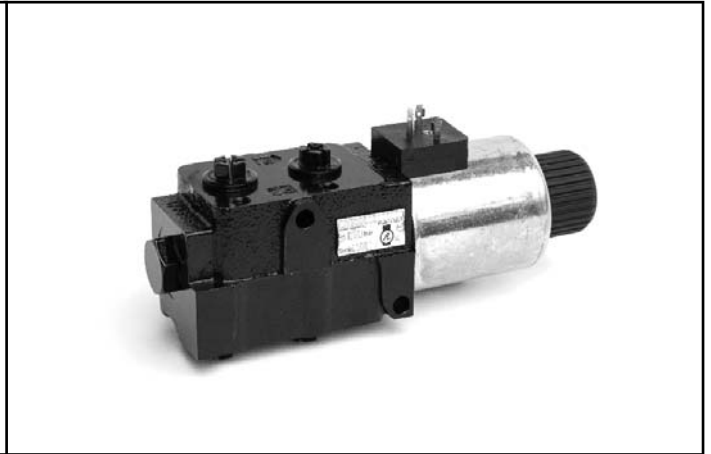


PA function



PB function





PART NUMBER

6VR	D	1	D24	M	PB	SD	000	Code
↑ 1	↑ 2	↑ 3	↑ 4	↑ 5	↑ 6	↑ 7	↑ 8	↑ 9

1	Type
6VR	6-way

2	Ports
C	1/2" G.
D	M.18x1,5
G	3/4"-16 UNF-2B

3	Connector type
1	Hirschmann
2	Deutsch without diode
3	Deutsch with diode

4	Voltage
D12	12 V
D24	24 V

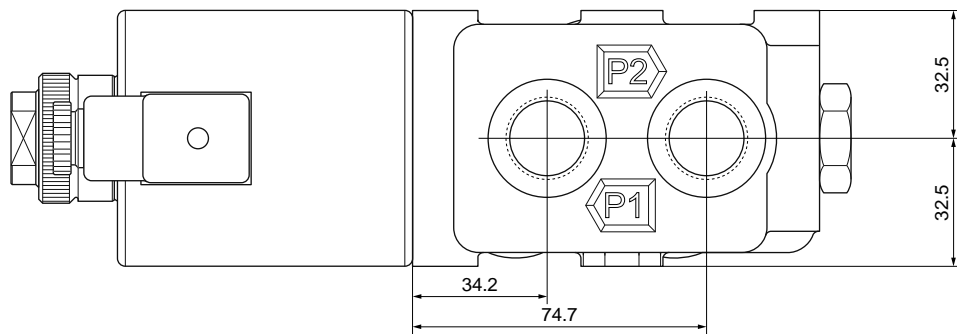
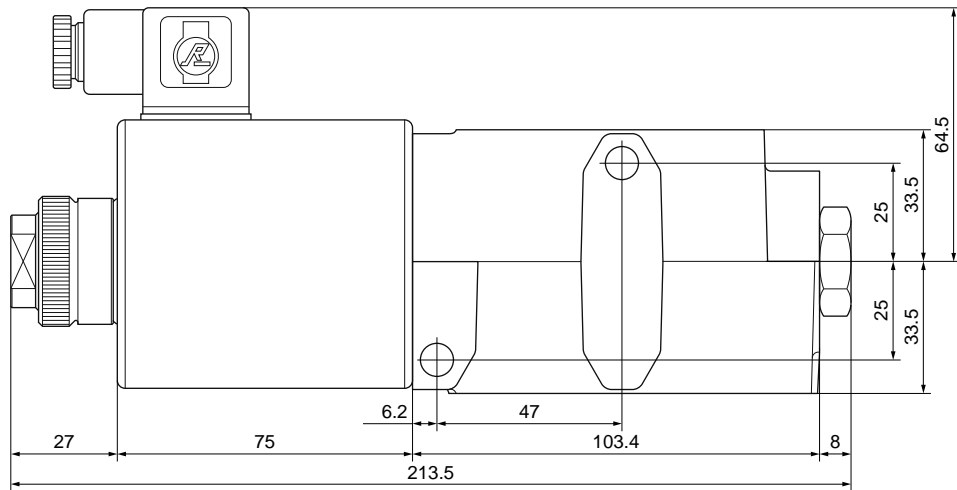
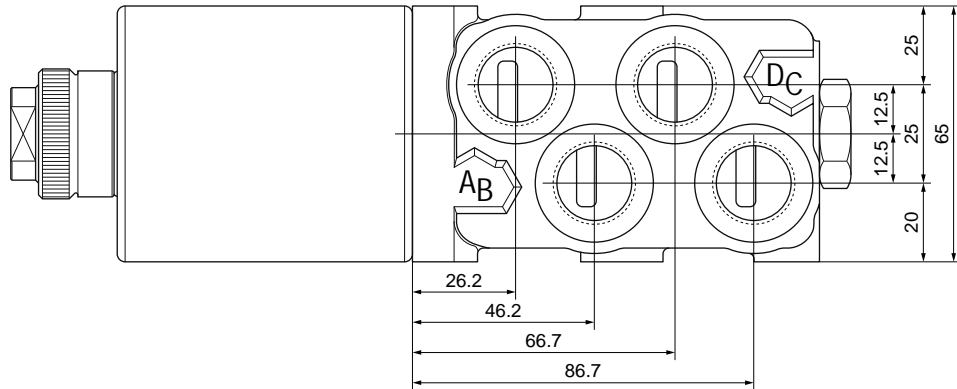
5	Nominal flow
M	40 L./min.
L	80 L./min.

6	Spool
PA	
PB	
X1	
X2	
X3	

7	Drainage
CD	With drainage
SD	Without drainage

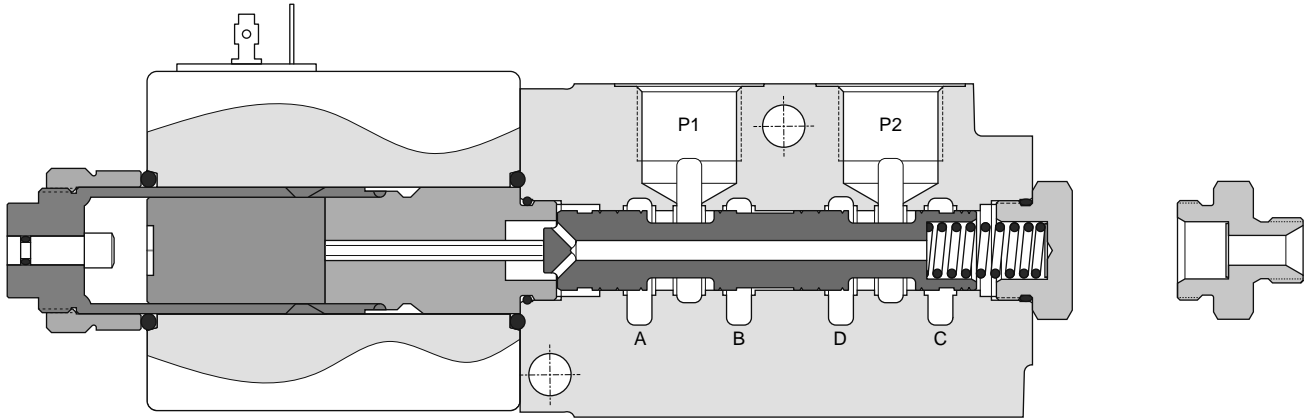
8	Protection
000	No paint
***	ROQUET paint code. Check.

9	Code
----------	-------------

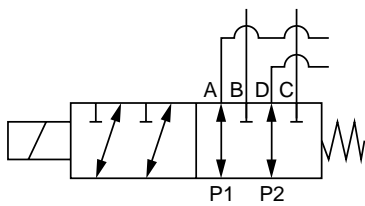


Technical data	
Work pressure range	0 - 250 bar
Nominal flow	40 L./min. - 80 L./min.
Fluid recommended	ISO 6743 Type HM, HV or HG
Flow temperature range	-20°C...+80°C
Viscosity range	ISO 3448 CAT. VG32-VG46
Fluid cleanliness range	16/13 s./ ISO 4406 or RP70H

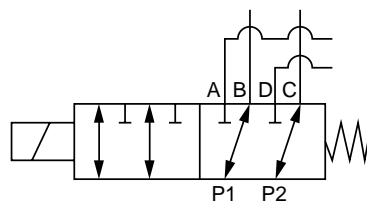
Technical data		
Ports	A, B, C, D, P1, P2	3/4" UNF - M.18x1,5 - 1/2" G.
Connector type	Deutsch - Hirschmann	
Voltage	12V - 24V	
Power 40 L./min.	38W	
Power 80 L./min.	44W	



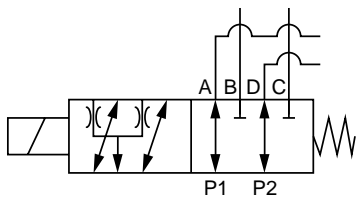
PA function



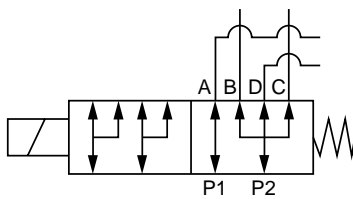
PB function



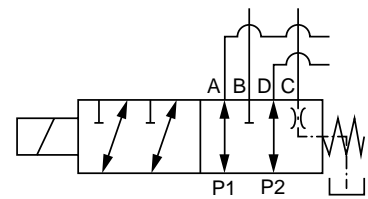
X1 function

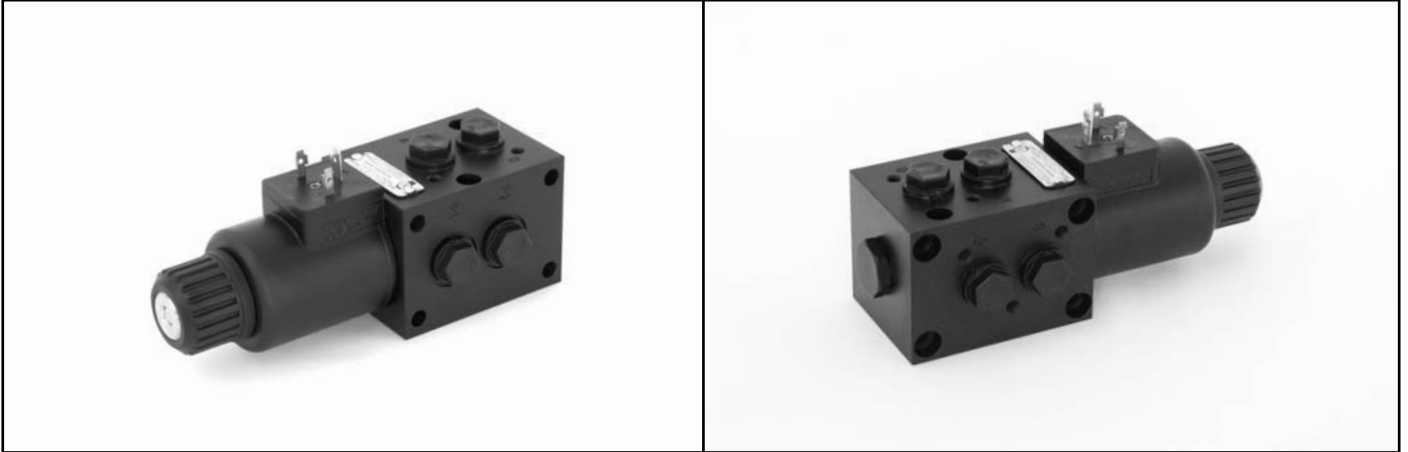


X2 function



X3 function





PART NUMBER

6VS	A	1	D24	S	PB	SD	000	Code
↑	↑	↑	↑	↑	↑	↑	↑	↑
1	2	3	4	5	6	7	8	9

1	Type
6VS	6-way stackable

2	Ports
A	1/4" G.

3	Connector type
1	Hirschmann
2	Deutsch without diode
3	Deutsch with diode

4	Voltage
D12	12 V
D24	24 V

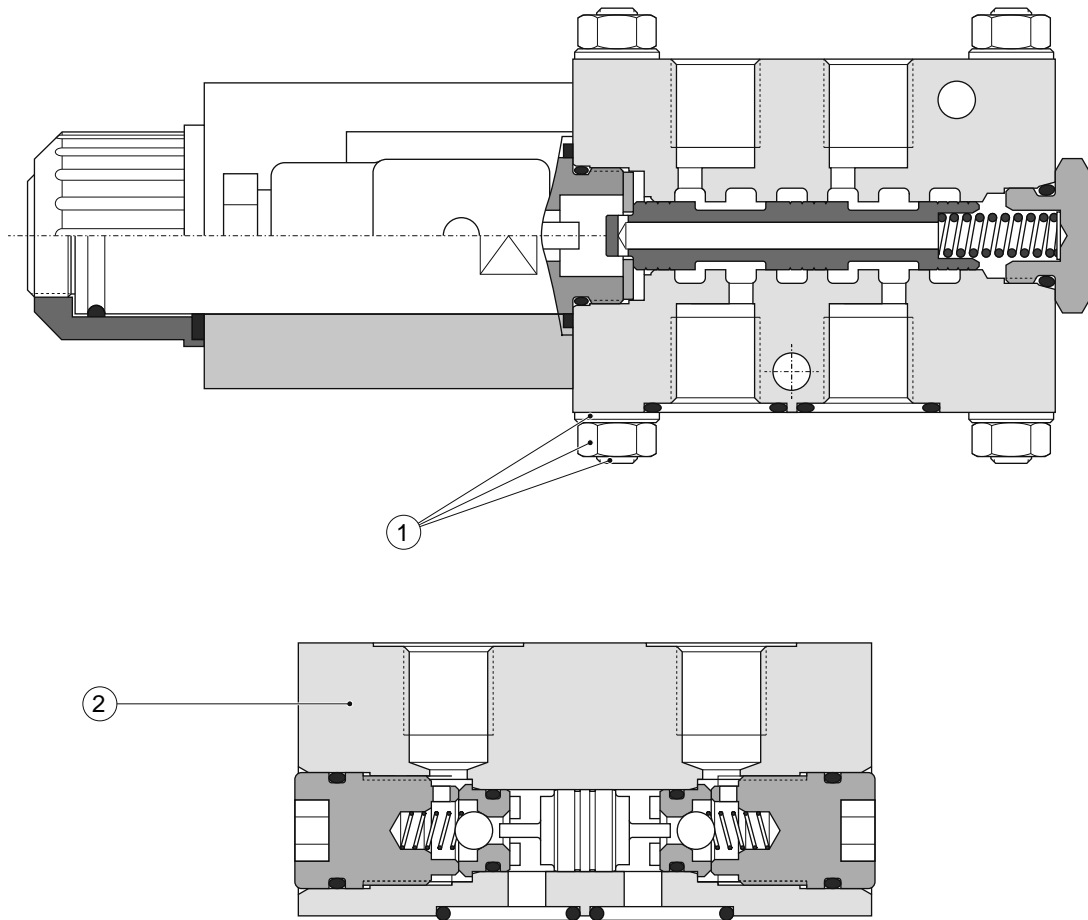
5	Nominal flow
S	To 20 L./min.

6	Spool
PA	
PB	

7	Drainage
SD	Without drainage

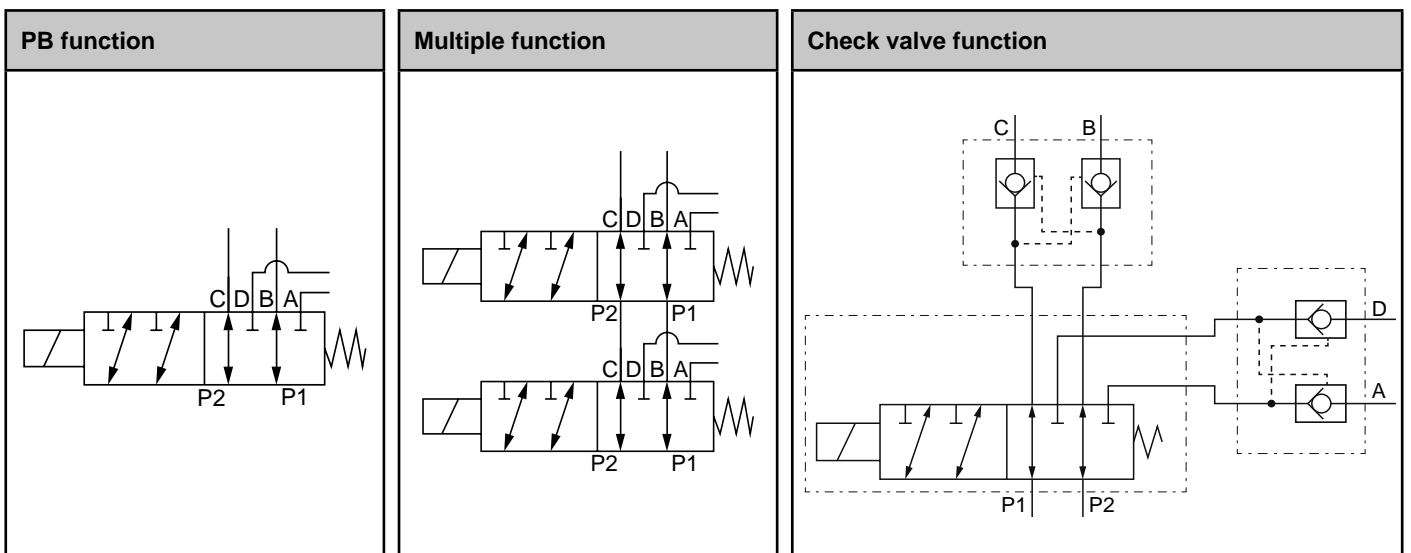
8	Protection
000	No paint
***	ROQUET paint code. Check.

9	Code
----------	-------------



Position	Part number	Description and parts
1A	6855/21	Union kit 2 valves (4 screws, 8 nuts, 8 washers and 1 pair of O-rings)
1B	6855/22	Union kit 3 valves (4 screws, 8 nuts, 8 washers and 2 pair of O-rings)
1C	6855/23	Union kit 4 valves (4 screws, 8 nuts, 8 washers and 3 pair of O-rings)
2A	6855020	Check valve kit

Note: Roquet deliveries union kits and individual valves. Customer will be able to set multiple valves, according their requirements.





PART NUMBER

8VR	B	1	D24	M	PA	PB	SD	000	Code
↑	↑	↑	↑	↑	↑	↑	↑	↑	↑
1	2	3	4	5	6	7	8	9	10

1	Type
8VR	8-way

2	Ports
B	3/8" G.

3	Connector type
1	Hirschmann
2	Deutsch without diode
3	Deutsch with diode

4	Voltage
D12	12 V
D24	24 V

5	Nominal flow
M	40 L./min.
L	80 L./min.

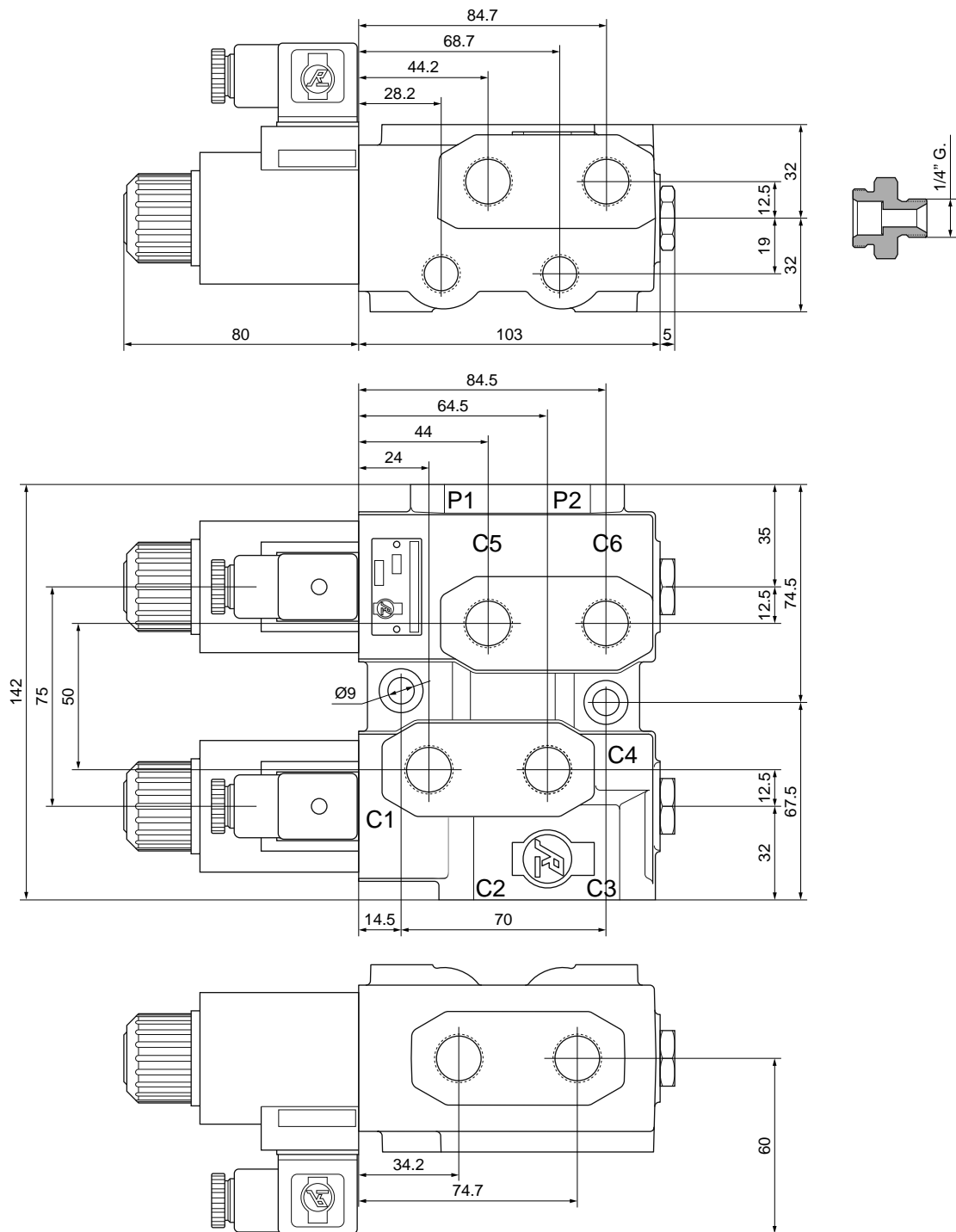
6	1st Spool
PA	
PB	
Note: First spool is nearest P port	

7	2nd Spool
PA	
PB	

8	Drainage
CD	With drainage
SD	Without drainage

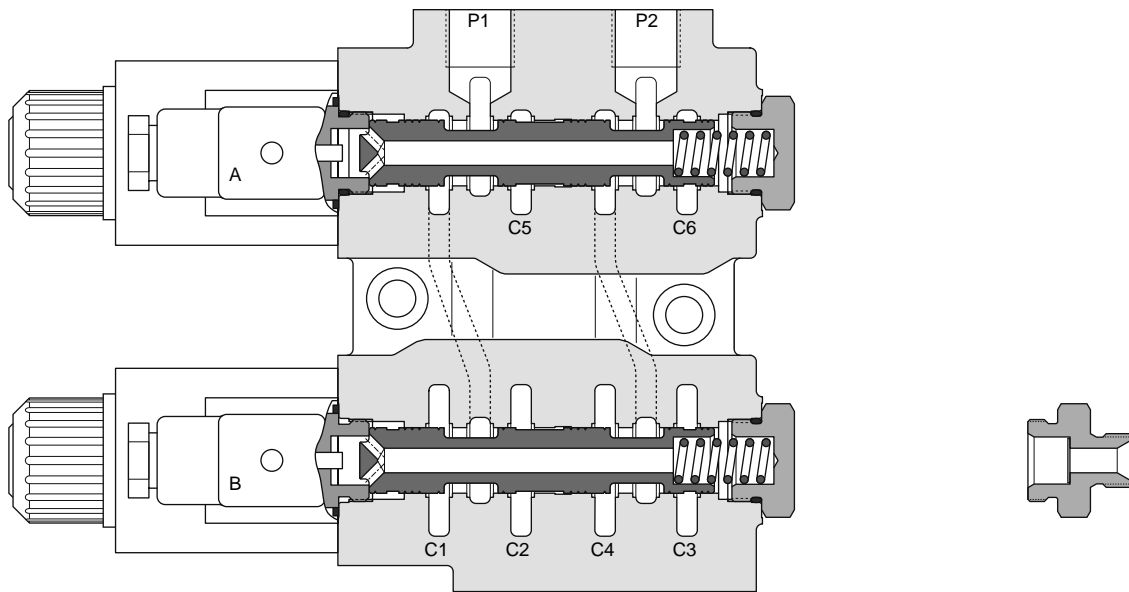
9	Protection
000	No paint
***	ROQUET paint code. Check.

10	Code
-----------	-------------

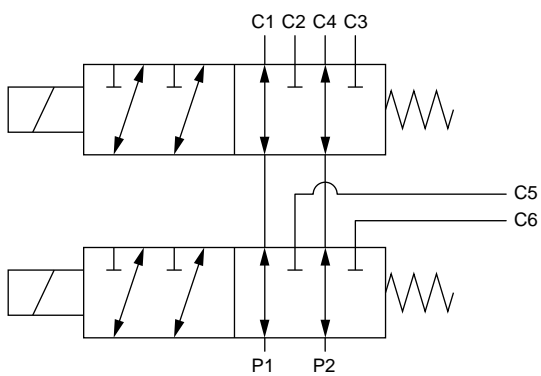


Technical data	
Work pressure range	0 - 250 bar
Nominal flow	40 L./min. - 80 L./min.
Fluid recommended	ISO 6743 Type HM, HV or HG
Flow temperature range	-20°C...+80°C
Viscosity range	ISO 3448 CAT. VG32-VG46
Fluid cleanliness range	16/13 s./ ISO 4406 or RP70H

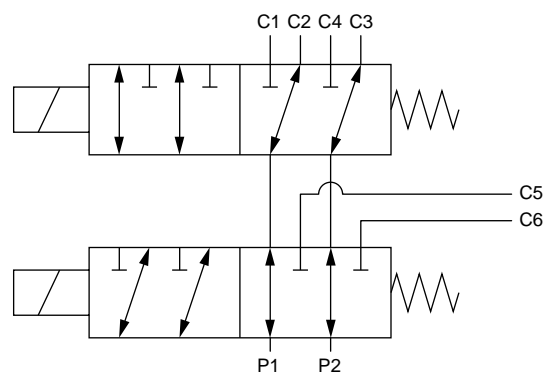
Technical data	
Ports	A, B, C, D, P1, P2
Connector type	Deutsch - Hirschmann
Voltage	12V - 24V
Power 40 L./min.	38W
Power 80 L./min.	44W

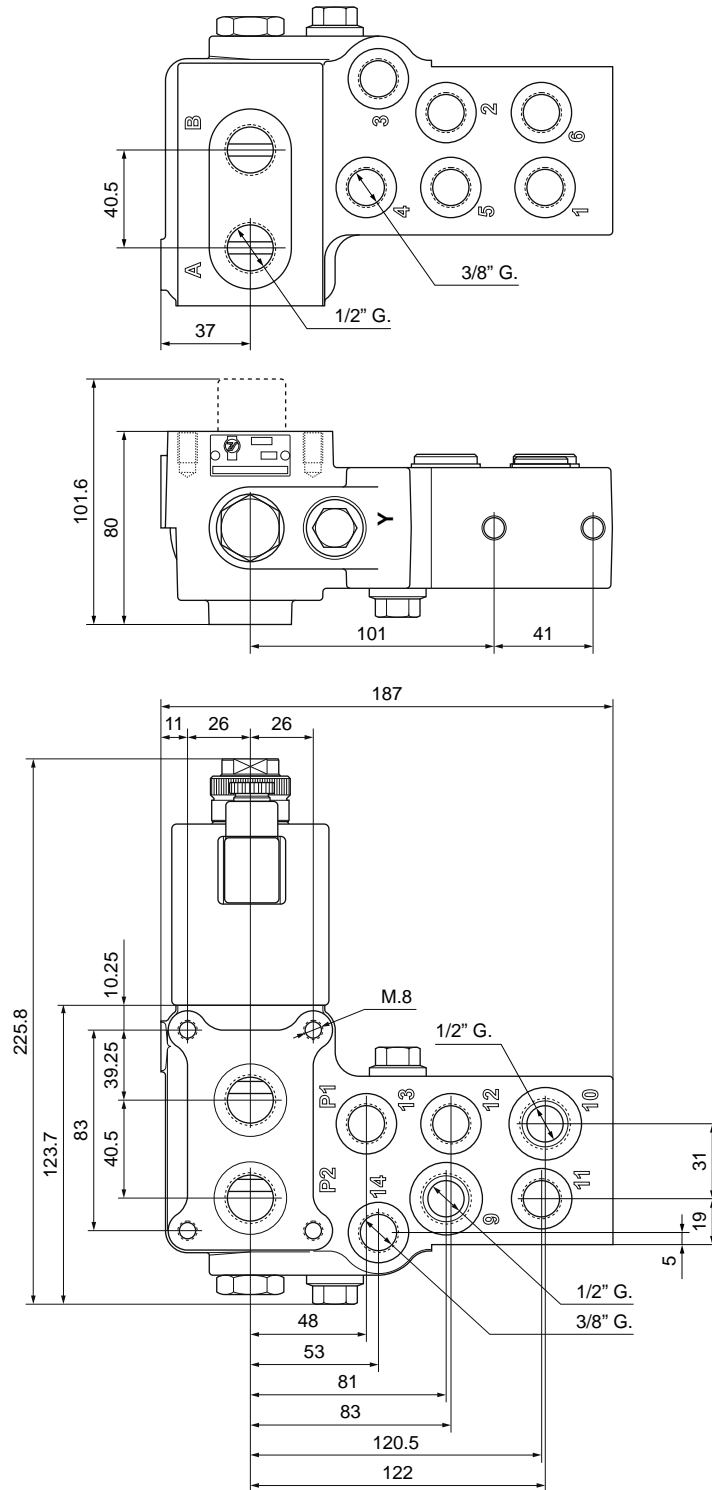


PA-PA function



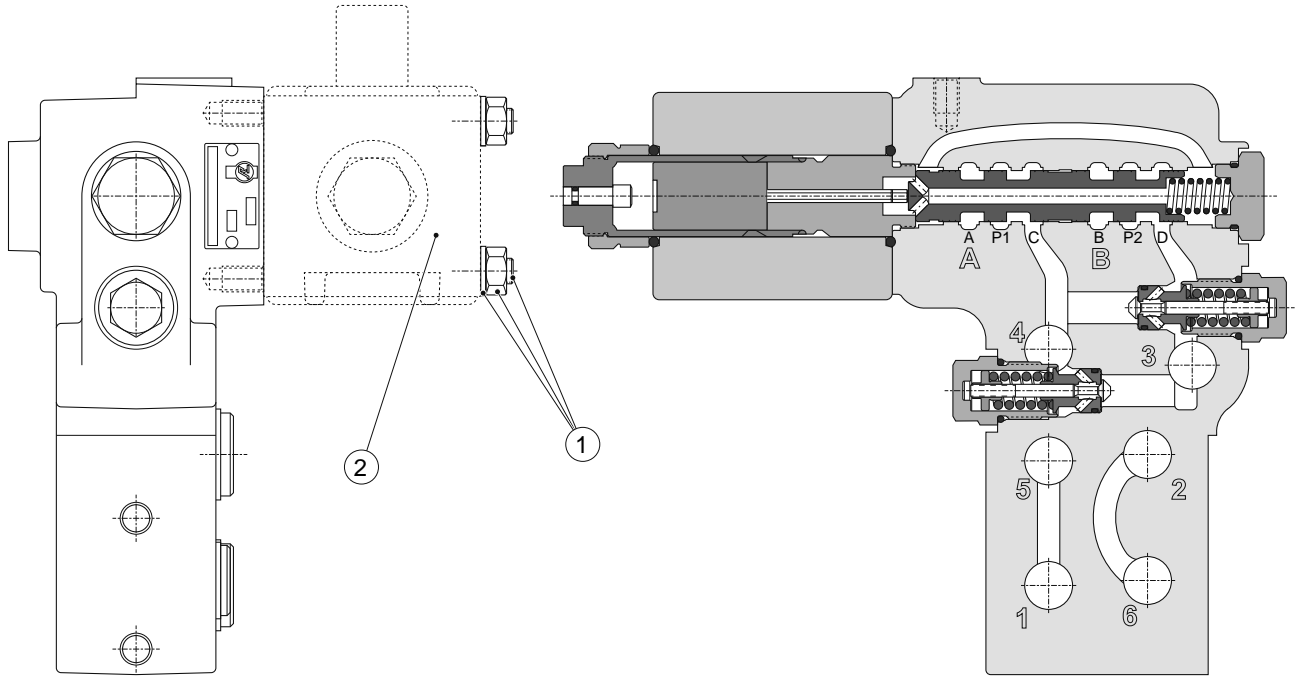
PA-PB function





Technical data	
Work pressure range	0 - 250 bar
Nominal flow	40 L./min. - 80 L./min.
Fluid recommended	ISO 6743 Type HM, HV or HG
Flow temperature range	-20°C...+80°C
Viscosity range	ISO 3448 CAT. VG32-VG46
Fluid cleanliness range	16/13 s./ ISO 4406 or RP70H

Technical data	
Ports A, B, P1, P2	1/2" G.
Ports 3, 4, 13, 14	3/8" G.
Connector type	Deutsch - Hirschmann
Voltage	12V - 24V
Power 40 L./min.	38W
Power 80 L./min.	44W

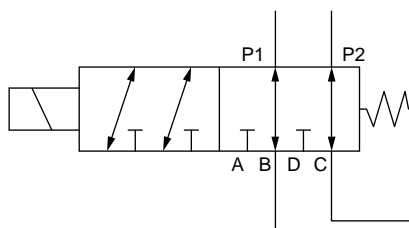


Position	Part number	Description and parts
1A	N2477/72	Union kit 2 valves (4 screws, 8 nuts, 8 washers and 1 pair of O-rings)
1B	N2477/73	Union kit 3 valves (4 screws, 8 nuts, 8 washers and 2 pair of O-rings)
1C	N2477/74	Union kit 4 valves (4 screws, 8 nuts, 8 washers and 3 pair of O-rings)
1D	N2477/75	Union kit 5 valves (4 screws, 8 nuts, 8 washers and 4 pair of O-rings)
1E	N2477/76	Union kit 6 valves (4 screws, 8 nuts, 8 washers and 5 pair of O-rings)
2A	6VA	6-way changeover valve (see page 4)

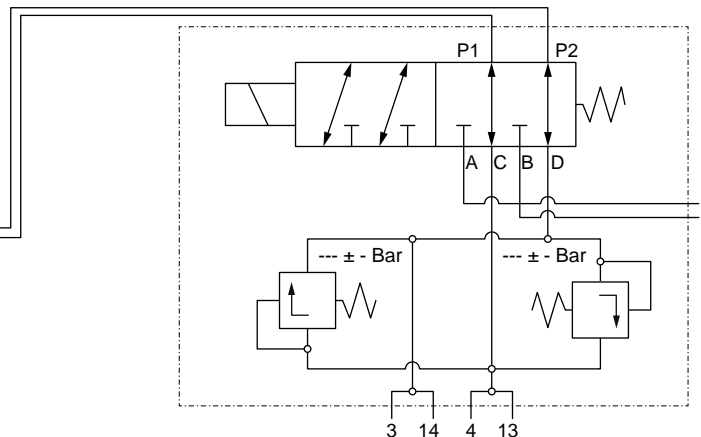
Note: Roquet deliveries union kits and individual valves. Customer will be able to set multiple valves, according their requirements.

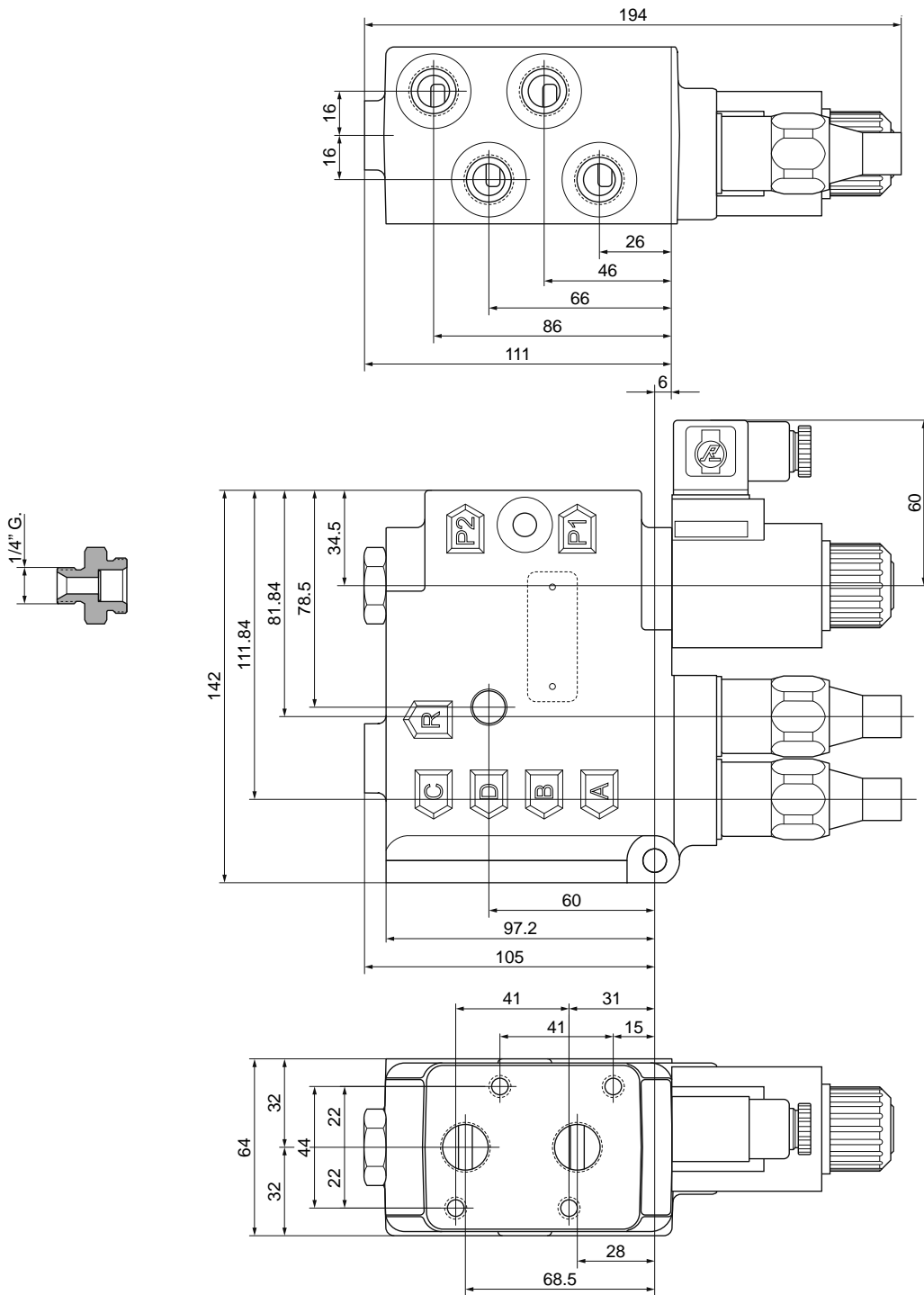
Multiple function

6VA



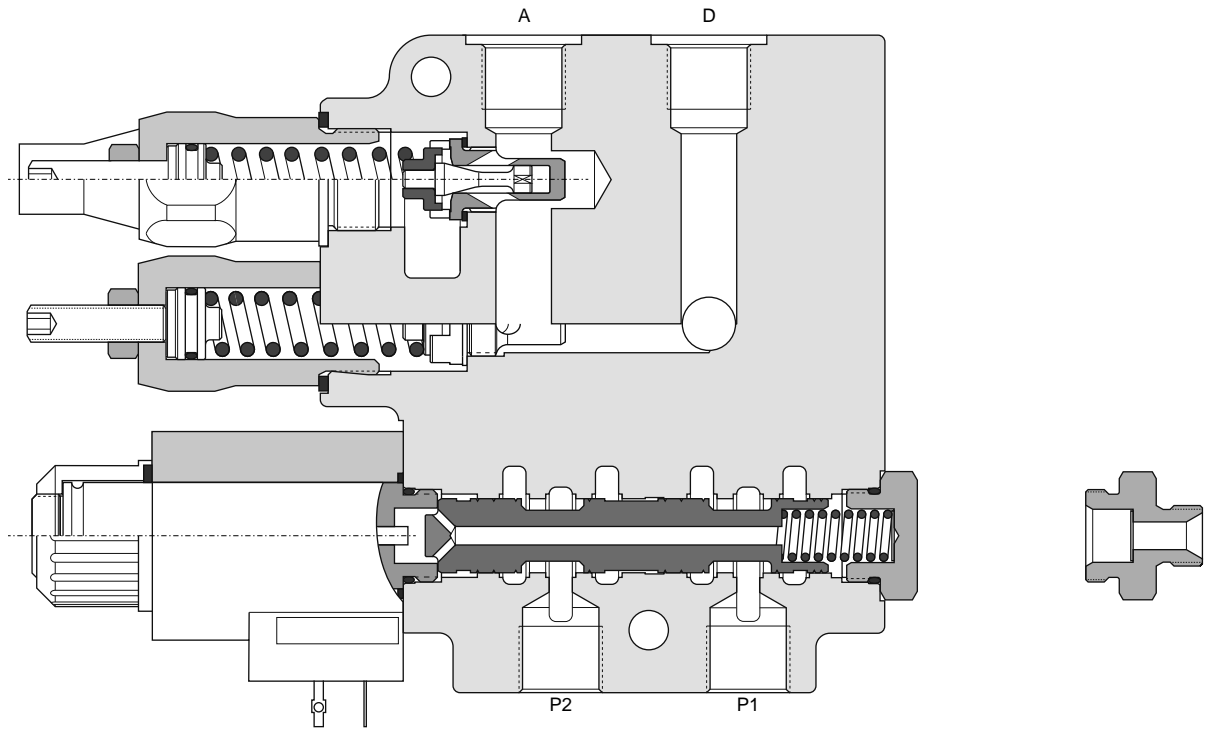
6VD



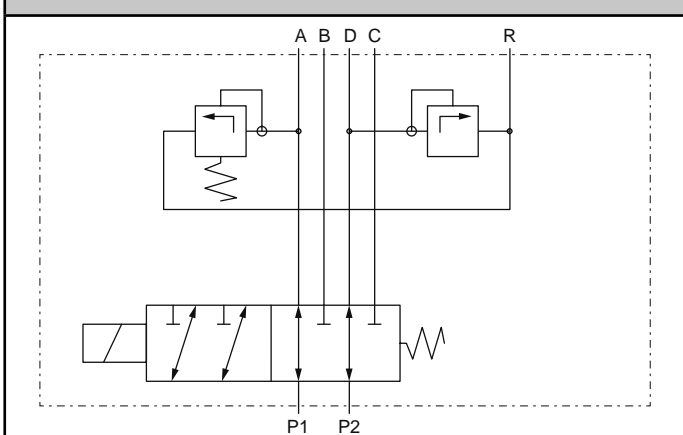


Technical data	
Work pressure range	0 - 250 bar
Nominal flow	40 L./min. - 80 L./min.
Fluid recommended	ISO 6743 Type HM, HV or HG
Flow temperature range	-20°C...+80°C
Viscosity range	ISO 3448 CAT. VG32-VG46
Fluid cleanliness range	16/13 s./ ISO 4406 or RP70H

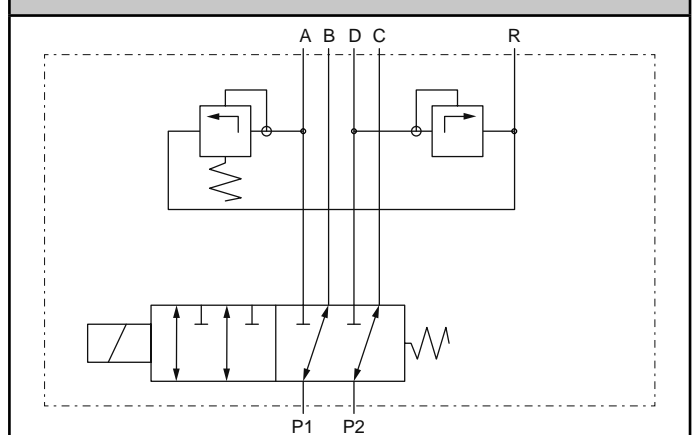
Technical data	
Ports	A, B, C, D, P1, P2
Connector type	Deutsch - Hirschmann
Voltage	12V - 24V
Power 40 L./min.	38W
Power 80 L./min.	44W

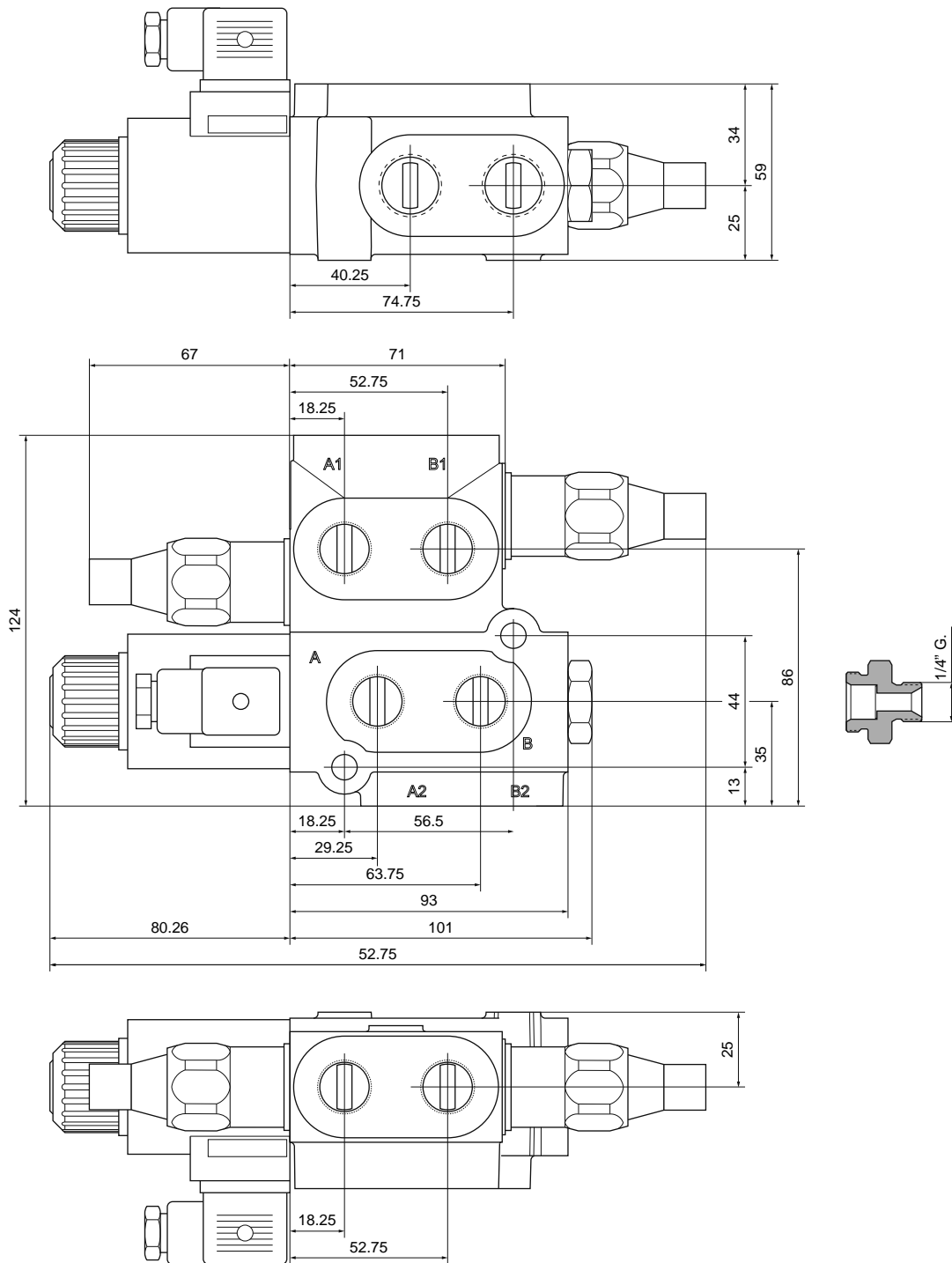


PA function



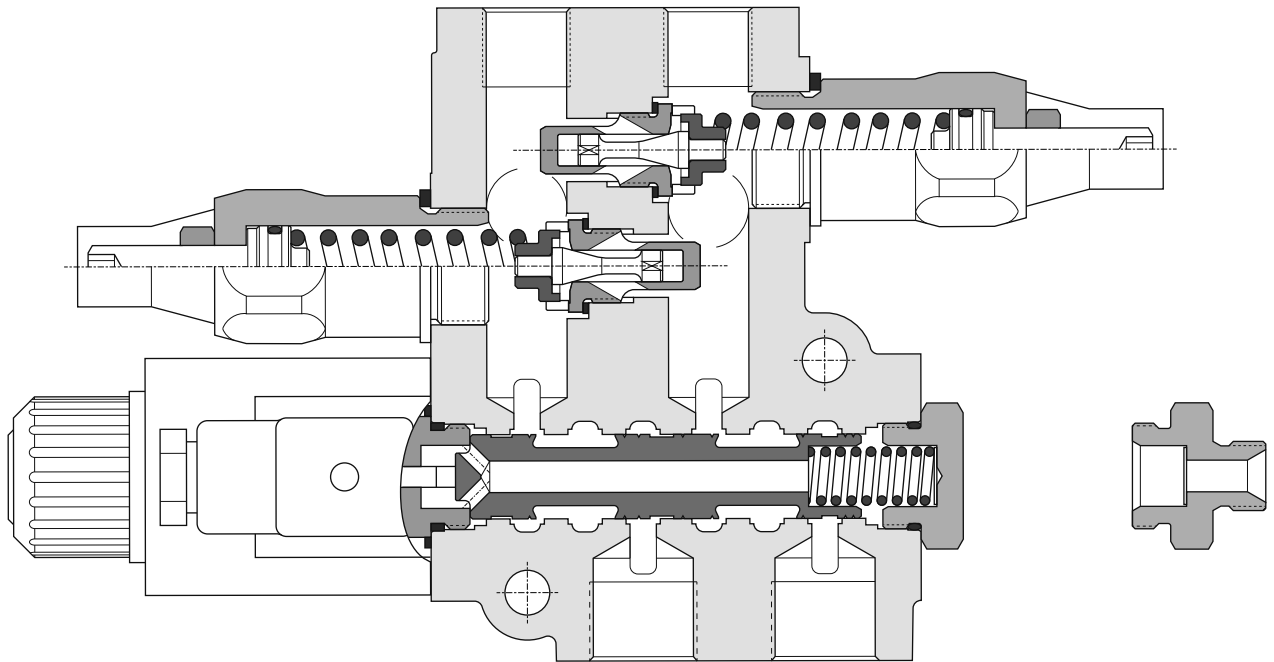
PB function



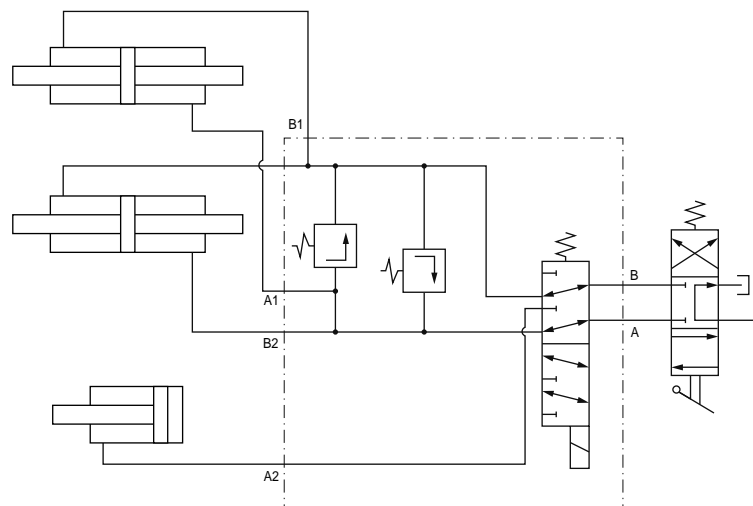


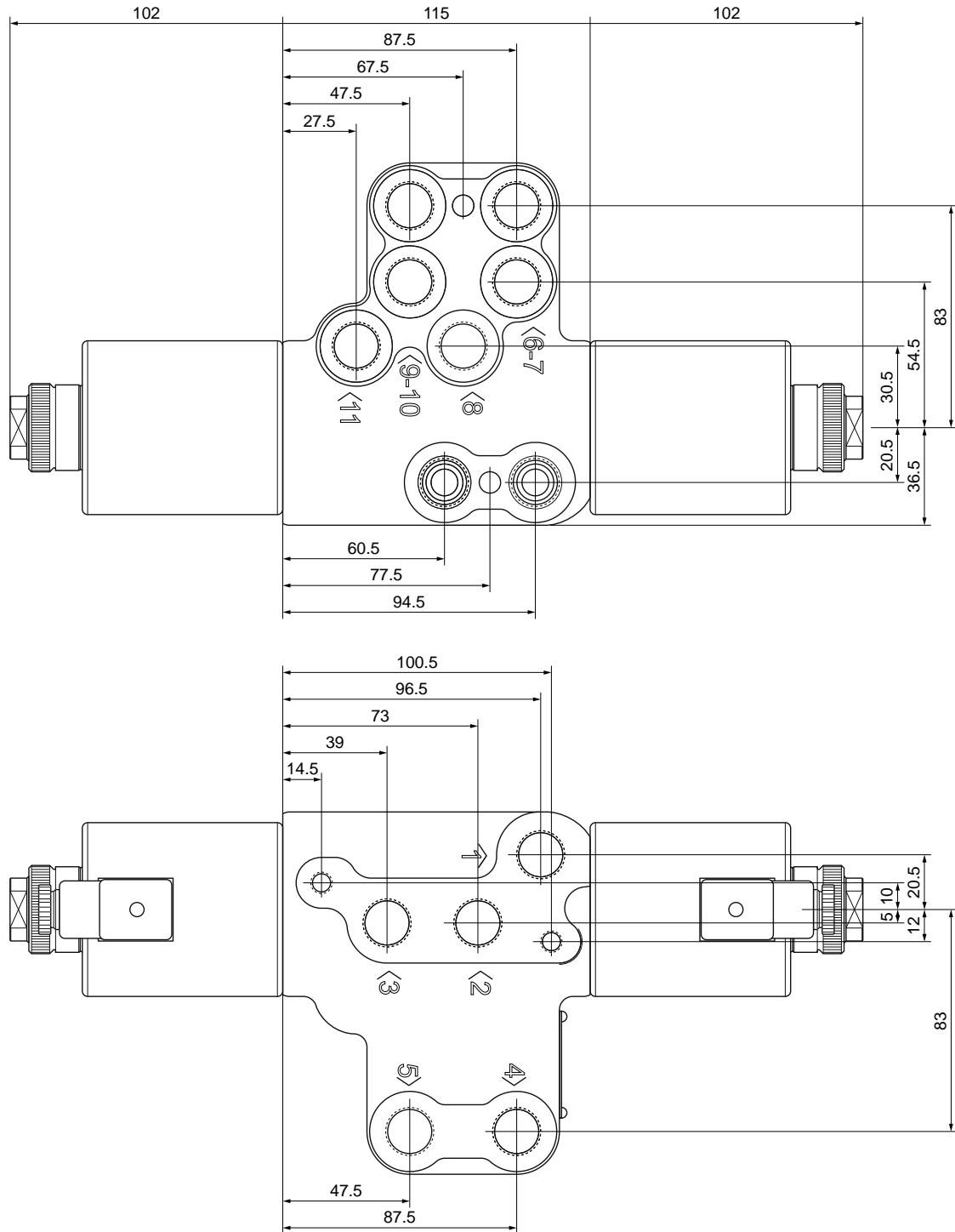
Technical data	
Work pressure range	0 - 250 bar
Nominal flow	40 L./min.
Fluid recommended	ISO 6743 Type HM, HV or HG
Flow temperature range	-20°C...+80°C
Viscosity range	ISO 3448 CAT. VG32-VG46
Fluid cleanliness range	16/13 s./ ISO 4406 or RP70H

Technical data	
Ports A2, B2	1/2" G.
Ports A, B, A1, B1	3/8" G.
Connector type	Deutsch - Hirschmann
Voltage	12V - 24V
Power 40 L./min.	38W



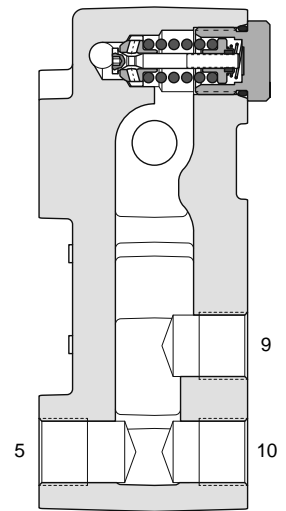
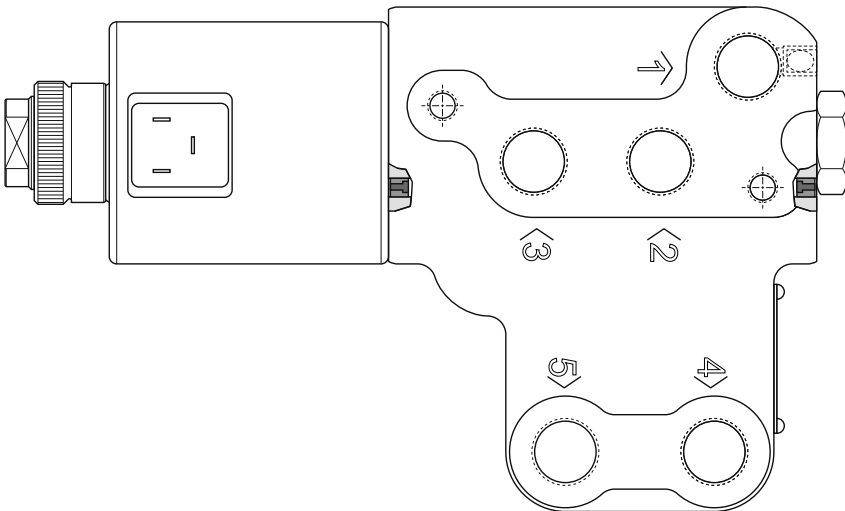
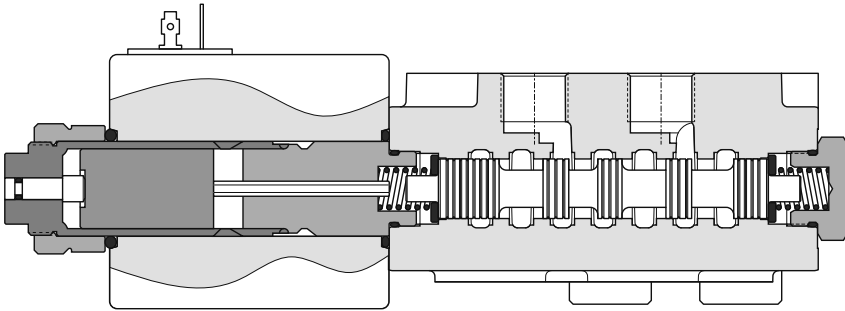
PA function



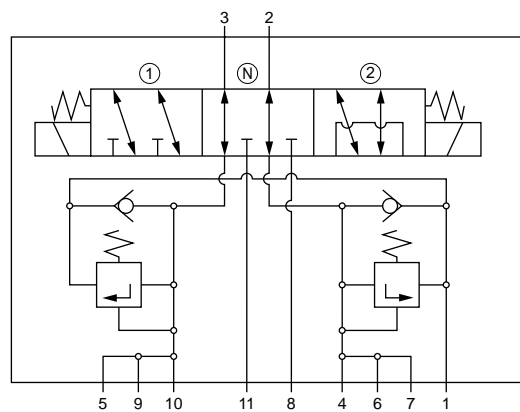


Technical data	
Work pressure range	0 - 250 bar
Nominal flow	80 L./min.
Fluid recommended	ISO 6743 Type HM, HV or HG
Flow temperature range	-20°C...+80°C
Viscosity range	ISO 3448 CAT. VG32-VG46

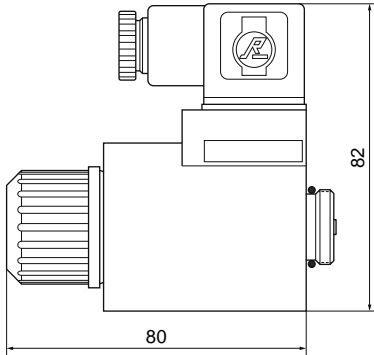
Technical data	
Fluid cleanliness range	16/13 s./ ISO 4406 or RP70H
Ports 1, 2, 3, 4, 5, 6, 7, 8, 9, 10, 11	M.18x1,5
Connector type	Deutsch - Hirschmann
Voltage	12V - 24V
Power 80 L./min.	44W



PA function

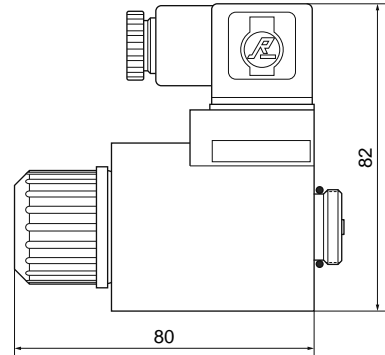


Part number: 7914001/12



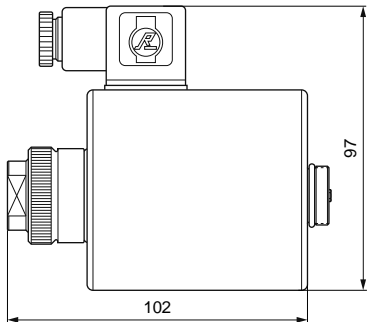
Power:	38W
Voltage:	12V
Flow:	40 L./min.
Connector:	Hirschman

Part number: 7914001/24



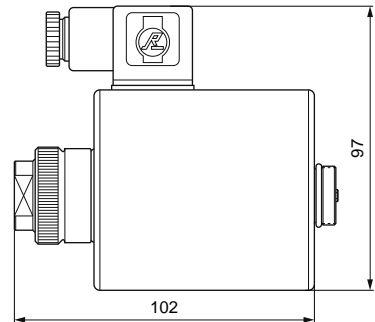
Power:	38W
Voltage:	24V
Flow:	40 L./min.
Connector:	Hirschman

Part number: N2966/28/12



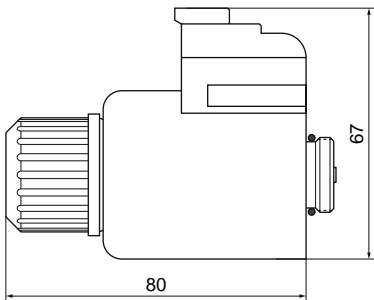
Power:	44W
Voltage:	12V
Flow:	80 L./min.
Connector:	Hirschman

Part number: N2966/28/24



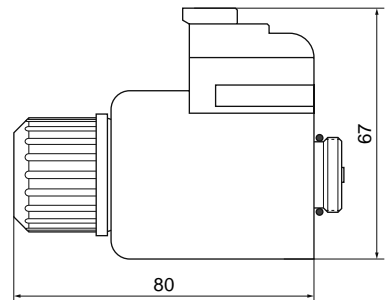
Power:	44W
Voltage:	24V
Flow:	80 L./min.
Connector:	Hirschman

Part number: 2232021/12



Power:	38W
Voltage:	12V
Flow:	40 L./min.
Connector:	Deutsch

Part number: 2232021/24

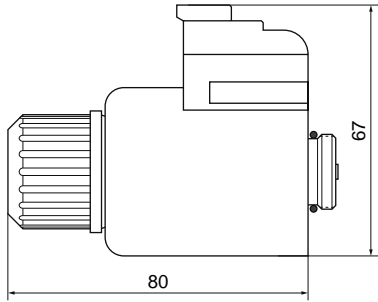


Power:	38W
Voltage:	24V
Flow:	40 L./min.
Connector:	Deutsch

Note: Standard without diode.

Note: Standard without diode.

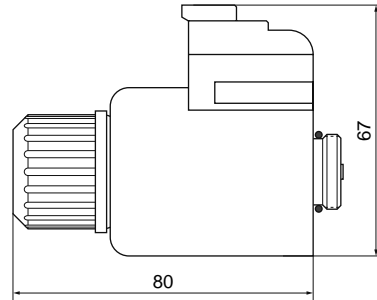
Part number: 6295001/12



Power:	38W
Voltage:	12V
Flow:	40 L./min.
Connector:	Deutsch

Note: With diode on request (not standard).

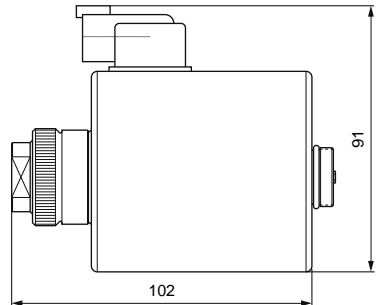
Part number: 6295001/24



Power:	38W
Voltage:	24V
Flow:	40 L./min.
Connector:	Deutsch

Note: With diode on request (not standard).

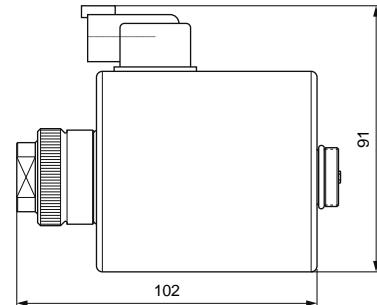
Part number: 2232024/12



Power:	44W
Voltage:	12V
Flow:	80 L./min.
Connector:	Deutsch

Note: Standard without diode.

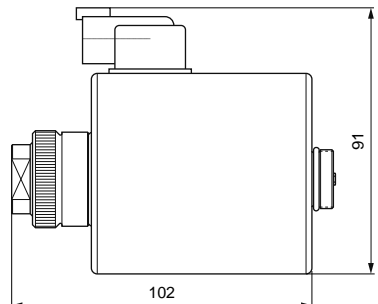
Part number: 2232024/24



Power:	44W
Voltage:	24V
Flow:	80 L./min.
Connector:	Deutsch

Note: Standard without diode.

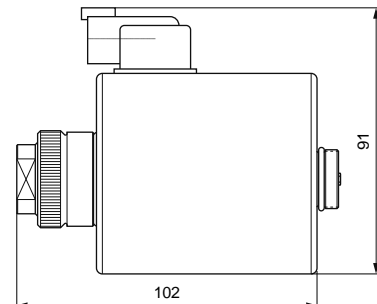
Part number: N9051/8/12



Power:	44W
Voltage:	12V
Flow:	80 L./min.
Connector:	Deutsch

Note: With diode on request (not standard).

Part number: N9051/8/24



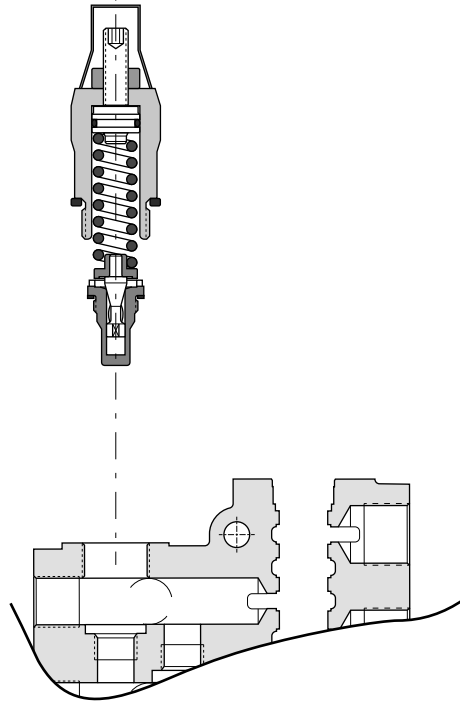
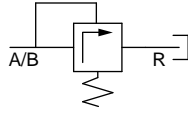
Power:	44W
Voltage:	24V
Flow:	80 L./min.
Connector:	Deutsch

Note: With diode on request (not standard).

Relief valve

Tamper-proof

224904*



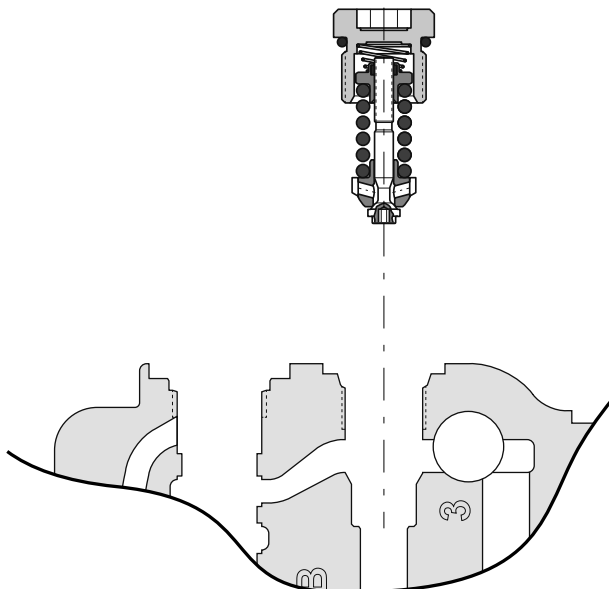
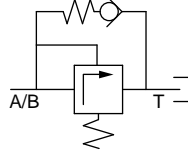
Pressure range

Tamper-proof

5-80 (80) bar	41
85-175 (160) bar	42
180-250 (200) bar	43
255-350 (315) bar	44

Relief and anticavitation valve

8841***



Part number

Setting (bar)

8841050	50
8841080	80
8841110	110
8841125	125
8841160	160
8841175	175
8841210	210
8841250	250
8841325	325

A large rectangular area filled with a grid of dashed lines, intended for taking notes. The grid consists of small squares formed by the intersections of the dashed lines.

Pedro Roquet, s/a

www.pedro-roquet.com

Distributor: